

05.4



DEGRITTERS AND
DEGREASERS

FAT CONCENTRATOR



05.4

DEGRITTERS AND DEGREASERS

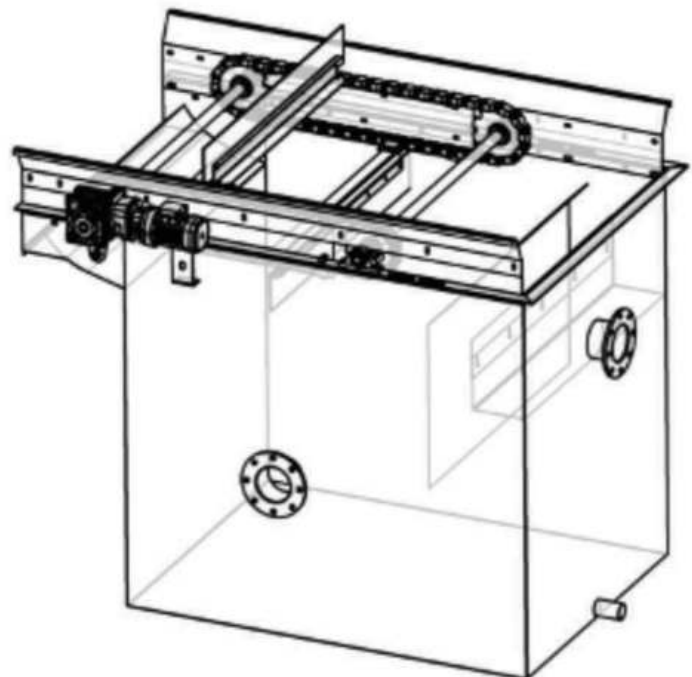
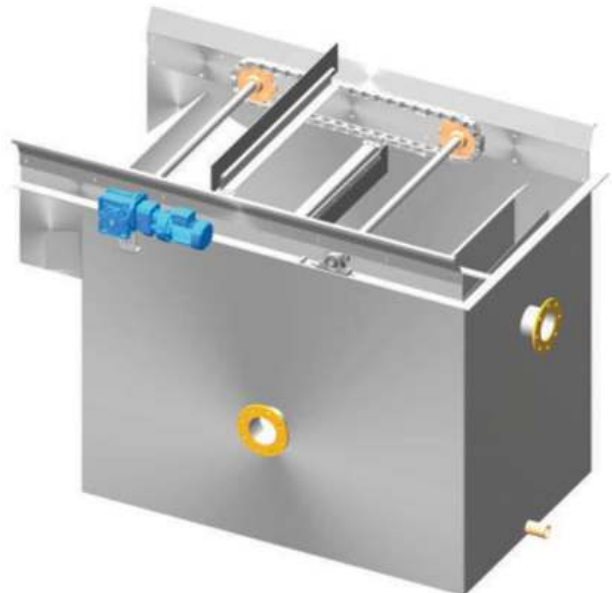
FAT CONCENTRATOR

WHAT ABOUT

The DET53T CONVEYOR SCREW is a specially designed unit to transport solid waste blocked by the Automatic Screens, Filtering Sieves, Rotating Sieves, etc.

The conveyor screw has the advantage that the solids caught in the loading hopper can be from very diverse origins (slurry, viscous, fibrous, sandy, etc.), thus they are appropriate for many different applications:

- Urban and waste water treatment plants.
- Collectors and pumping stations.
- Paper industry.
- Chemical industry.
- Agriculture.
- Food industry.
- Etc.



05.4

DEGRITTERS AND DEGREASERS

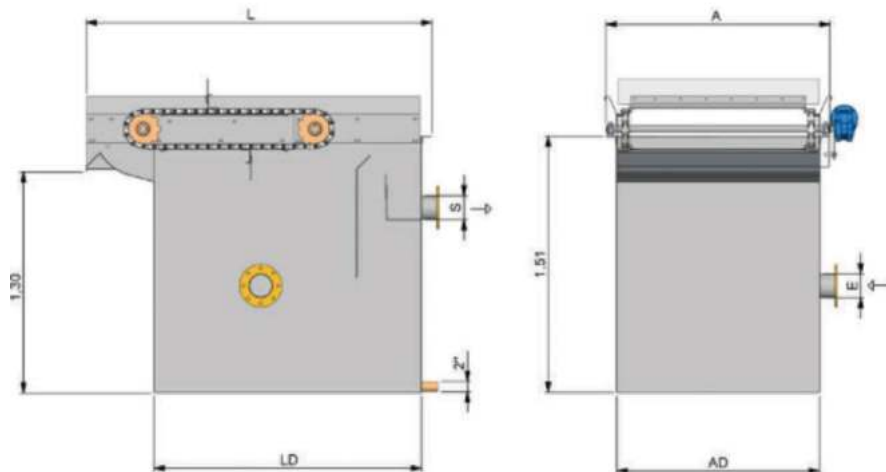
FAT CONCENTRATOR

DRIVE UNIT

Comprised of a geared motor with a hollow output shaft working directly on the motor shaft. This works a set of wheels which interlock with the two lateral transportation chains to which the surface sweeper scrapers are attached.

SURFACE SCRAPERS

Made from stainless steel plate, within which adjustable profiles are mounted consisting of a flexible material which adapts well to the sides of the enclosure and the discharge ramp.



DESIGN PARAMETERS

A	Frame width
AT	Overall width
L	Base length
LT	Length